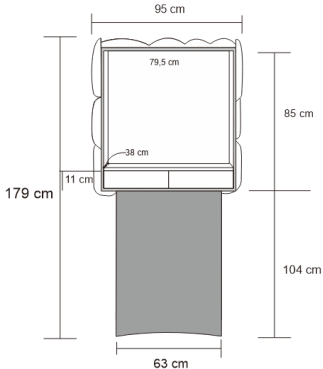


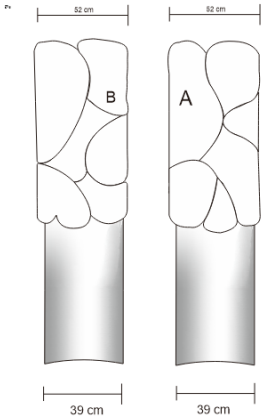
EXCLAGON BAR CABINET

DESIGN By Qoqet

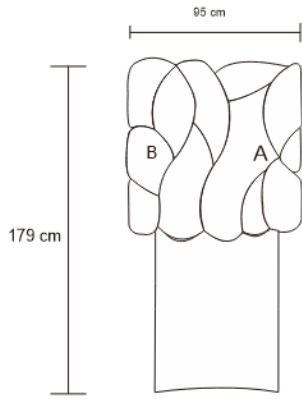
Front View



Side View



Front View



Dimensions (mm)

952.50 W x 520.70 D x 1,790.70 H

Dimensions (Inches)

37.50 W x 20.50 D x 70.50 H

Incredible luxurious craftsmanship is the pinnacle of artistry and skill, combining the finest materials, attention to detail, and expert techniques to create truly breathtaking works of art. The brass doors on this bar cabinet are molded by hand, welded with invisible seams and hand polished to perfection. The interior is lined in turquoise high-gloss parchment, accompanied by 2 mahogany drawers and 1 glass shelf. The intricate details and finishing touches on this piece makes it a highly prized possession that can be passed down through generations.

QOQET